



KING CORE ELECTRONICS INC.

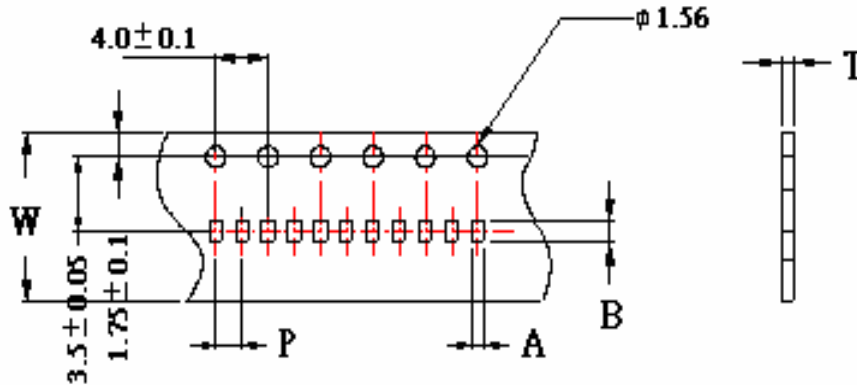
Tel: 886-3-4698855 Fax: 886-3-4691395

Web Site: <http://www.kingcore.com.tw>

e-mail: kc@mail.kingcore.com.tw

PACKAGING - FBM□/FLM□/HLM□ SERIES

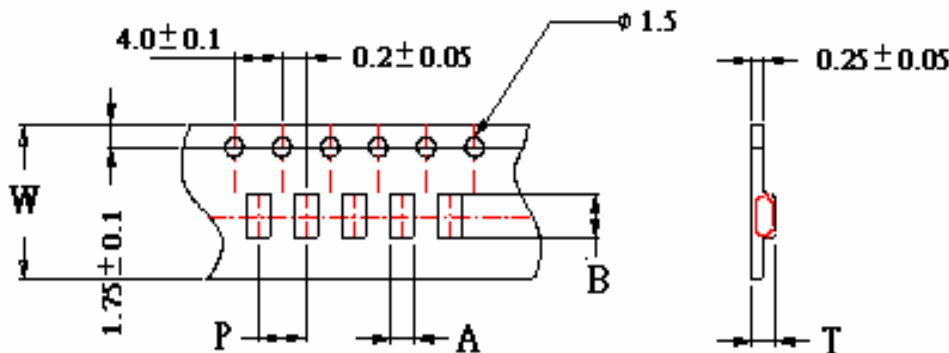
■ TAPE DIMENSIONS AND PACKAGING QUANTITIES



TAPE MATERIAL:
 CARRIER TAPE:
 PAPER
 COVER TAPE:
 POLYETHYLENE
 TEREPHTHALATE (PET)
 UNDER:
 POLYCARBONATE (PC)

UNIT:mm

SIZE CODE	A	B	T	W	P	CHIPS/REEL
100505	0.65 ± 0.04	1.15 ± 0.04	0.60 ± 0.05	8 ± 0.05	2 ± 0.1	10000
160808	1.10 ± 0.05	1.90 ± 0.05	0.95 ± 0.05	8 ± 0.1	4 ± 0.1	4000
201209	1.42 ± 0.05	2.25 ± 0.05	0.95 ± 0.05	8 ± 0.1	4 ± 0.1	4000



TAPE MATERIAL:
 CARRIER TAPE:
 POLYCARBONATE (PC)
 COVER TAPE:
 POLYETHYLENE
 TEREPHTHALATE (PET)

UNIT:mm

SIZE CODE	A	B	T	W	P	CHIPS/REEL
160808	0.94 ± 0.1	1.82 ± 0.1	0.92 ± 0.1	8 ± 0.2	4 ± 0.1	4000
201209	1.42 ± 0.1	2.24 ± 0.1	1.04 ± 0.1	8 ± 0.2	4 ± 0.1	4000
201212	1.50 ± 0.1	2.30 ± 0.1	1.60 ± 0.1	8 ± 0.2	4 ± 0.1	2000
321611	1.88 ± 0.1	3.50 ± 0.1	1.27 ± 0.1	8 ± 0.2	4 ± 0.1	3000
322513	2.85 ± 0.1	3.56 ± 0.1	1.66 ± 0.1	8 ± 0.2	4 ± 0.1	2000
451616	1.95 ± 0.1	4.95 ± 0.1	1.93 ± 0.1	12 ± 0.2	4 ± 0.1	2000
453215	3.66 ± 0.1	4.95 ± 0.1	1.83 ± 0.1	12 ± 0.2	8 ± 0.1	1000

※All the data listed in this catalogue are for reference only, King Core reserves the right to alter or revise the specifications without prior notification.



KING CORE ELECTRONICS INC.

Tel: 886-3-4698855 Fax: 886-3-4691395

Web Site: <http://www.kingcore.com.tw>

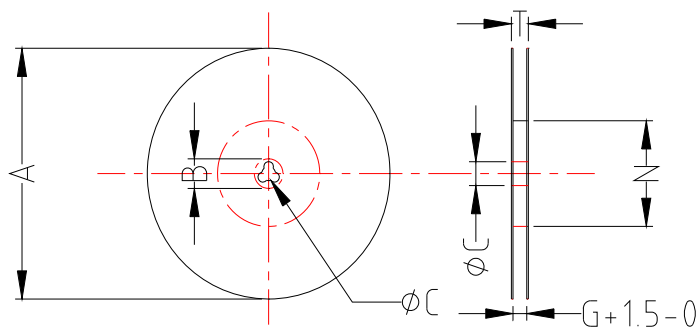
e-mail: kc@mail.kingcore.com.tw

REEL DIMENSIONS

CARRIER TYPE REELS

Material: Plastic/ Paper

W is the tape width

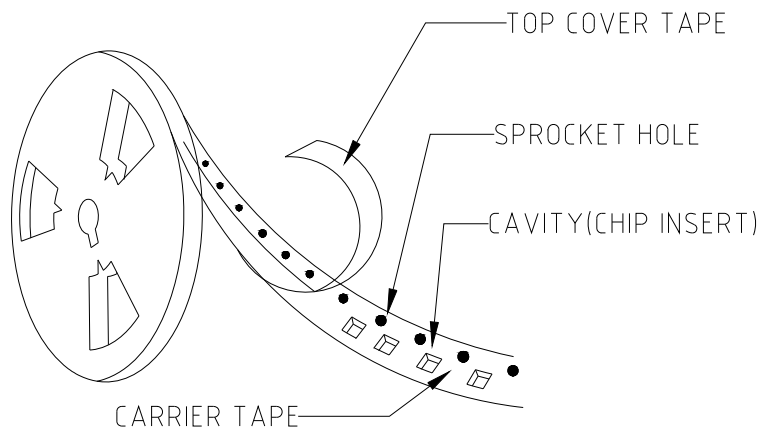


W	8mm	12mm
A	178.0±2.0	178.0±2.0
B	21.0±0.8	21.0±0.8
C	13.0±0.8	13.0±0.8
G	10.0	14.0
N	75.0	75.0
T	12.5	16.5

Ps. 8mm tape width: for type 100505, 160808, 201209, 201212, 321611, 322513

12mm tape width: for type 451616, 453215

STRUCTURE OF TAPING





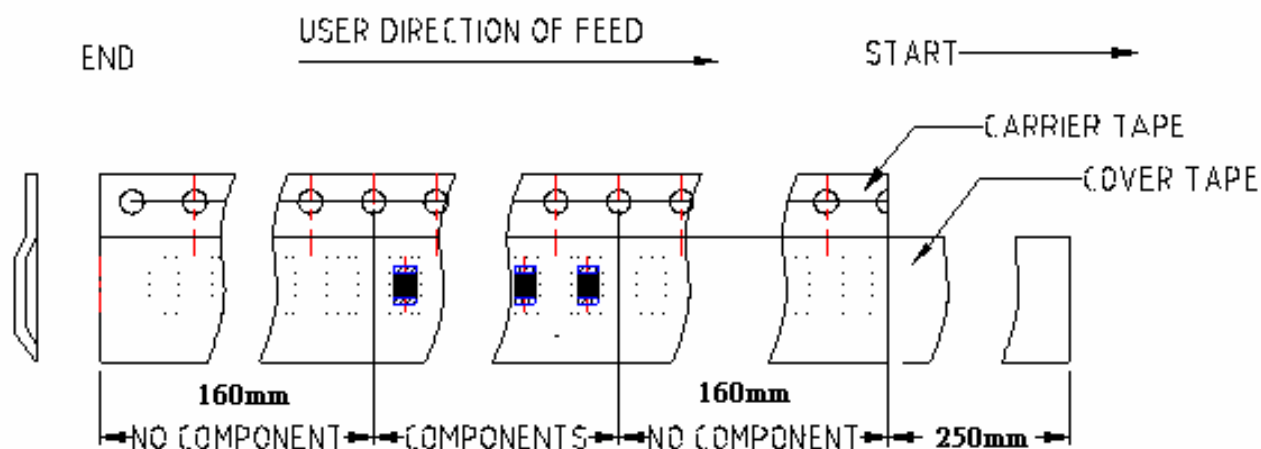
KING CORE ELECTRONICS INC.

Tel: 886-3-4698855 Fax: 886-3-4691395

Web Site: <http://www.kingcore.com.tw>

e-mail: kc@mail.kingcore.com.tw

LEADER AND TRAILER TAPE



STRENGTH OF CARRIER TAPE AND TOP COVER TAPE

The force for tearing off cover tape is 10 to 130 grams in the arrow direction

