



KING CORE ELECTRONICS INC.

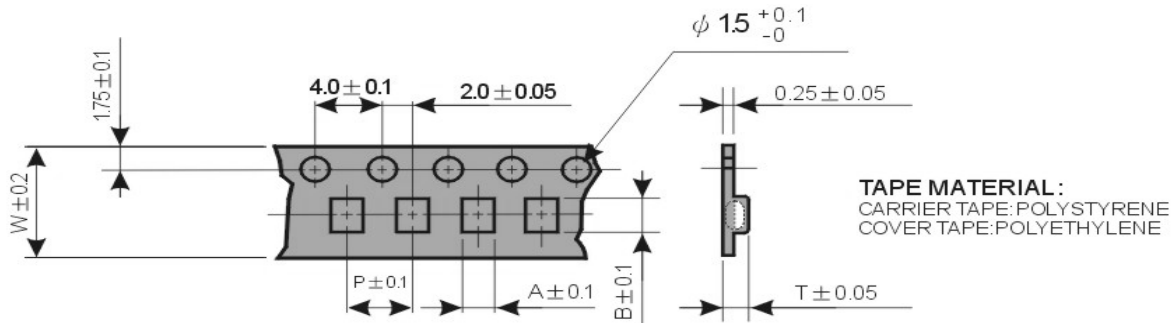
Tel: 886-3-4698855 Fax: 886-3-4691395

Web Site: <http://www.kingcore.com.tw>

e-mail: kc@mail.kingcore.com.tw

PACKAGING – FBCA SERIES

◎TAPE DIMENSIONS AND PACKAGING QUANTITIES

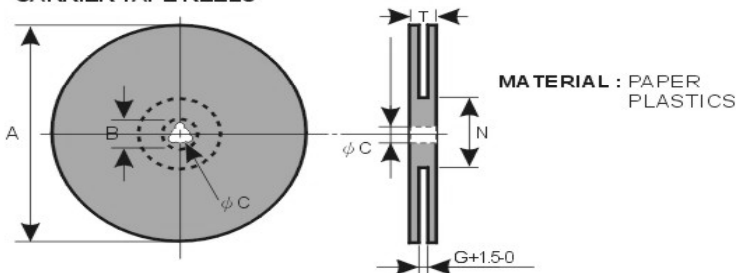


UNIT: m/m

ORDERING CODE	A	B	T	W	P	CHIPS/REEL
FBCA-78-302540	3.45	5.0	3.1	12	8	500
FBCA-78-302585	3.15	9.5	3.1	12	8	500
FBCA-78-473078	5.2	8.75	3.6	16	8	500

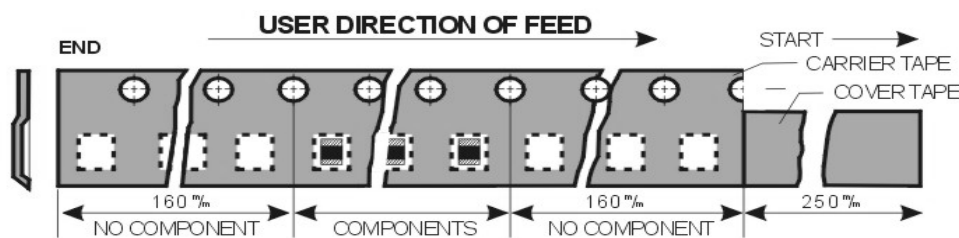
◎REEL DIMENSIONS

CARRIER TAPE REELS



	12mm	16mm
A	178	178
B	21.0±0.8	21.0±0.8
C	13.0±0.2	13.0±0.2
G	12.4	16.4
N	75	75
T	16.4	20.4

◎LEADER AND TRAILER TAPE



◎STRENGTH OF CARRIER TAPE AND TOP COVER TAPE

