



# KING CORE ELECTRONICS INC.

Tel: 886-3-4698855 Fax: 886-3-4691395

Web Site: <http://www.kingcore.com.tw>

e-mail: [kc@mail.kingcore.com.tw](mailto:kc@mail.kingcore.com.tw)

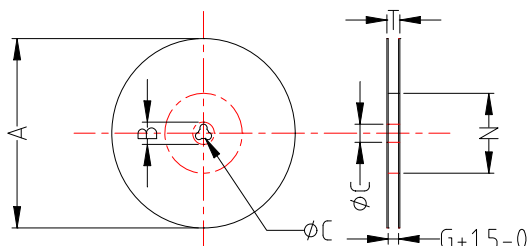
## PACKAGING – WCM SERIES

### ◎REEL DIMENSIONS

Material: Plastic/Paper

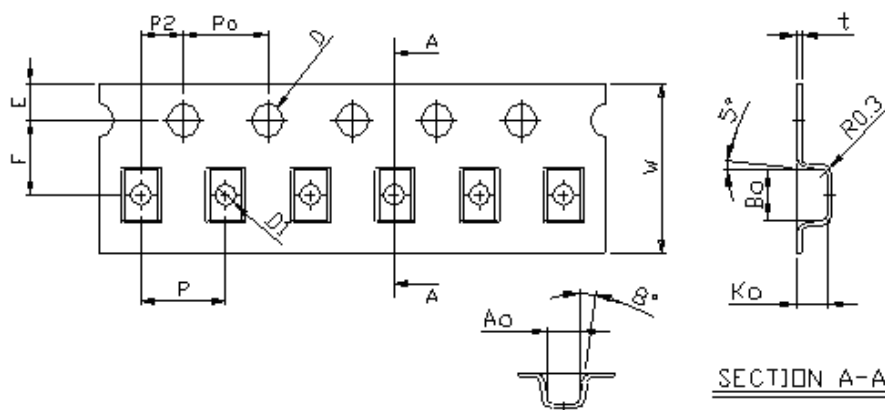
W is the tape width

Unit:mm



| SIZE CODE  | W    | A             | B            | C            | G    | N    | T    | PCS/REEL  |
|------------|------|---------------|--------------|--------------|------|------|------|-----------|
| WCM-1210   | 8mm  | 178.0<br>±2.0 | 21.0<br>±0.8 | 13.0<br>±0.8 | 10.0 | 75.0 | 12.5 | 3000      |
| WCM-160808 | 8mm  | 178.0<br>±2.0 | 21.0<br>±0.8 | 13.0<br>±0.8 | 10.0 | 75.0 | 12.5 | 4000      |
| WCM-2012   | 8mm  | 178.0<br>±2.0 | 21.0<br>±0.8 | 13.0<br>±0.8 | 10.0 | 75.0 | 12.5 | 2000/3000 |
| WCM-3216   | 8mm  | 178.0<br>±2.0 | 21.0<br>±0.8 | 13.0<br>±0.8 | 10.0 | 75.0 | 12.5 | 2000      |
| WCM-4525   | 12mm | 178.0<br>±2.0 | 21.0<br>±0.8 | 13.0<br>±0.8 | 14.0 | 75.0 | 16.5 | 2000      |

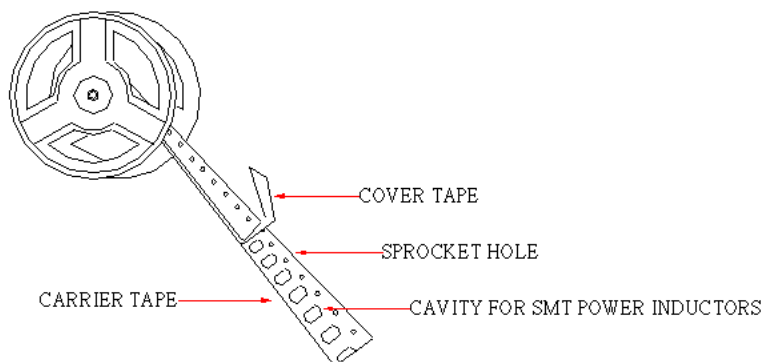
### ◎CARRIER TAPE DIMENSIONS



Unit:mm

| SIZE CODE  | W              | P             | E             | F             | P2            | D                  | D1            | P0            | 10P0           | A0            | B0            | K0            | t             |
|------------|----------------|---------------|---------------|---------------|---------------|--------------------|---------------|---------------|----------------|---------------|---------------|---------------|---------------|
| WCM-1210   | 8.00<br>±0.10  | 4.00<br>±0.10 | 1.75<br>±0.10 | 3.50<br>±0.05 | 2.00<br>±0.05 | 1.50<br>+0.10-0.00 | 0.70<br>±0.10 | 4.00<br>±0.10 | 40.00<br>±0.20 | 1.12<br>±0.10 | 1.40<br>±0.10 | 1.05<br>±0.10 | 0.22<br>±0.05 |
| WCM-160808 | 8.00<br>±0.10  | 4.00<br>±0.10 | 1.75<br>±0.10 | 3.50<br>±0.05 | 2.00<br>±0.05 | 1.50<br>+0.10-0.00 | 0.70<br>±0.10 | 4.00<br>±0.10 | 40.00<br>±0.20 | 1.05<br>±0.10 | 1.78<br>±0.10 | 0.90<br>±0.10 | 0.22<br>±0.05 |
| WCM-2012   | 8.00<br>±0.10  | 4.00<br>±0.10 | 1.75<br>±0.10 | 3.50<br>±0.05 | 2.00<br>±0.05 | 1.50<br>+0.10-0.00 | 1.00<br>±0.10 | 4.00<br>±0.10 | 40.00<br>±0.20 | 1.35<br>±0.10 | 2.25<br>±0.10 | 1.40<br>±0.10 | 0.22<br>±0.05 |
| WCM-3216   | 8.00<br>±0.10  | 4.00<br>±0.10 | 1.75<br>±0.10 | 3.50<br>±0.05 | 2.00<br>±0.05 | 1.50<br>+0.10-0.00 | 1.00<br>±0.10 | 4.00<br>±0.10 | 40.00<br>±0.20 | 1.88<br>±0.10 | 3.50<br>±0.10 | 2.10<br>±0.10 | 0.22<br>±0.05 |
| WCM-4525   | 12.00<br>±0.10 | 4.00<br>±0.10 | 1.75<br>±0.10 | 5.50<br>±0.05 | 2.00<br>±0.05 | 1.50<br>+0.10-0.00 | 1.50<br>±0.10 | 4.00<br>±0.10 | 40.00<br>±0.20 | 3.00<br>±0.10 | 5.00<br>±0.10 | 2.40<br>±0.10 | 0.25<br>±0.05 |

### ◎STRUCTURE OF TAPING



※All the data listed in this catalogue are for reference only, King Core reserves the right to alter or revise the specifications without prior notification.

W013.A02