

SPECIFICATION OF BSFxxxxMPHD SERIES

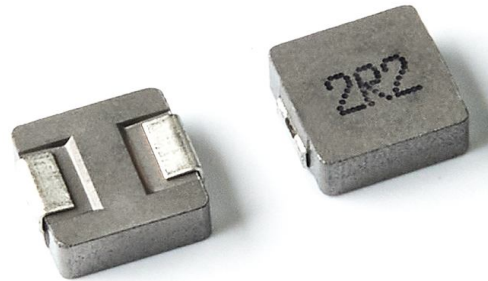
FEATURES

1. High performance (Isat) realized by metal dust core.
2. Very low profile : Thickness with 1.6 to 5.0 mm.
3. Low loss with low DCR.
4. Capable of corresponding high frequency (3MHz).
5. RoHS compliant.



APPLICATIONS

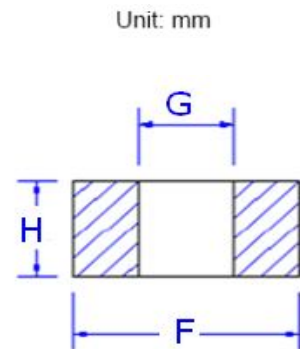
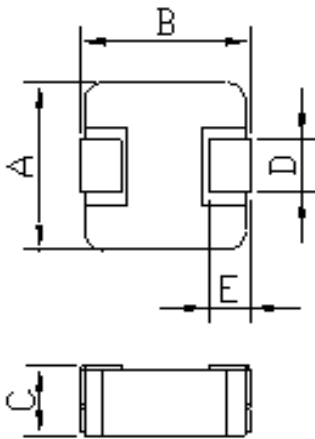
DC/DC Converter for CPU in Notebook PC.
Graphic Card , VRM , POL , DSC , Mobile Phone ,
LCD panel , LCD TV , HD.



ORDERING CODE

BSF0402MPHD R47 M T
(1) (2) (3)(4)

- (1) PRODUCT TYPE CODE AND SIZE CODE
- (2) INDUCTANCE
- (3) INDUCTANCE TOLERANCE (M : ±20%, N : ±30%)
- (4) REEL TAPING



LAND PATTERN

SHAPE & DIMENSIONS

SIZE CODE	A mm	B mm	C mm	D mm	E mm	F mm	G mm	H mm		
BSF0402MPHD	4.20±0.25	4.40±0.35	1.8±0.2	2.0±0.3	0.8±0.3	5.2	2.2	2.5		
BSF0503MPHD	5.2±0.2	5.4±0.3	2.8±0.2	2.2±0.3	1.2±0.2	6.0	2.2	2.5		
BSF0603MPHD	6.6±0.2	7.0±0.3	2.8±0.2	3.0±0.3	1.6±0.3	8.4	3.7	3.5		

※All the data listed in this catalogue are for reference only, King Core reserves the right to alter or revise the specifications without prior notification.

SMD POWER INDUCTORS → BSF0402MPHD SERIES

ELECTRICAL CHARACTERISTIC

ORDERING CODE	Inductance (μH)	DC Resistance (mΩ)max	Isat (A)TYP	IDC (A)TYP
BSF0402MPHDR10MT	0.10	4.0	22.0	13.0
BSF0402MPHDR22MT	0.22	6.6	12.5	9.5
BSF0402MPHDR33MT	0.33	11.0	12.0	10.0
BSF0402MPHDR47MT	0.47	14.0	9.5	7.5
BSF0402MPHDR56MT	0.56	16.0	10.0	7.0
BSF0402MPHDR68MT	0.68	18.0	9.0	7.0
BSF0402MPHD1R0MT	1.0	27.0	7.0	6.0
BSF0402MPHD1R2MT	1.2	27.0	7.0	6.0
BSF0402MPHD1R5MT	1.5	46.0	6.0	5.0
BSF0402MPHD2R2MT	2.2	58.0	5.0	4.5
BSF0402MPHD3R3MT	3.3	87.0	4.0	3.3
BSF0402MPHD4R7MT	4.7	105.0	3.0	2.8
BSF0402MPHD6R8MT	6.8	175.0	2.5	2.4
BSF0402MPHD100MT	10.0	282.0	2.2	1.6

※Test Frequency : 100KHz/1V
 ※Isat: Based on Inductance decrease 30%
 ※Irms: Based on Temperature increase 40°C
 ※Operating temperature range : -55°C ~ +125°C (including self-heating)
 ※All the data listed in this catalogue are for reference only, King Core reserves the right to alter or revise the specifications without prior notification.

SMD POWER INDUCTORS → BSF0603MPHD SERIES

ELECTRICAL CHARACTERISTIC

ORDERING CODE	Inductance (μH)	DC Resistance (mΩ)max	Isat (A)TYP	IDC (A)TYP
BSF0603MPHDR10MT	0.10	1.2	56.0	32.0
BSF0603MPHDR22MT	0.22	3.0	34.0	24.0
BSF0603MPHDR24MT	0.24	3.1	26.0	23.0
BSF0603MPHDR33MT	0.33	3.5	25.0	21.0
BSF0603MPHDR47MT	0.47	4.1	20.0	18.0
BSF0603MPHDR56MT	0.56	4.5	18.0	16.5
BSF0603MPHDR68MT	0.68	5.3	17.0	16.0
BSF0603MPHDR82MT	0.82	6.0	16.0	14.0
BSF0603MPHD1R0MT	1.0	7.4	15.0	12.0
BSF0603MPHD1R5MT	1.5	12.1	14.0	12.0
BSF0603MPHD2R2MT	2.2	15.0	10.0	9.5
BSF0603MPHD3R3MT	3.3	22.0	9.5	8.5
BSF0603MPHD4R7MT	4.7	33.0	6.5	6.0
BSF0603MPHD5R6MT	5.6	42.0	6.0	5.0
BSF0603MPHD6R8MT	6.8	48.0	6.0	5.0
BSF0603MPHD8R2MT	8.2	60.0	6.0	5.0
BSF0603MPHD100MT	10.0	67.0	5.5	4.5
BSF0603MPHD150MT	15.0	115.0	4.5	3.0
BSF0603MPHD220MT	22.0	200.0	3.0	2.3
BSF0603MPHD330MT	33.0	310.0	2.5	2.0

※Test Frequency : 100KHz/1V

※Isat: Based on Inductance decrease 30%

※IDC: Based on Temperature increase 40°C

※Operating temperature range : -55°C ~ +125°C (including self-heating)

※All the data listed in this catalogue are for reference only, King Core reserves the right to alter or revise the specifications without prior notification.